

ROJO FLOAT VALVE

PRODUCT INFO



Description

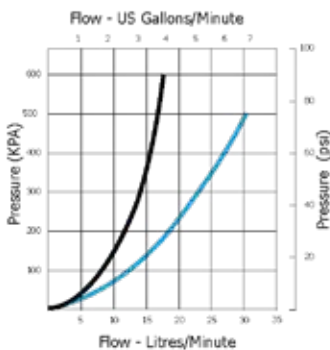
Rojo Float Valves are float operated valves for automatic filling of water storage vessels. The Rojo can be **mounted above or below water level**. It is a simple mechanically operated valve. The Rojo is a good choice where its **low flow** is sufficient and its compact non corrosive construction is beneficial.

Applications

Maintaining water levels in:

- Animal drinking troughs
- Water storage tanks
- Water Cisterns
- Process applications

Flow Graph

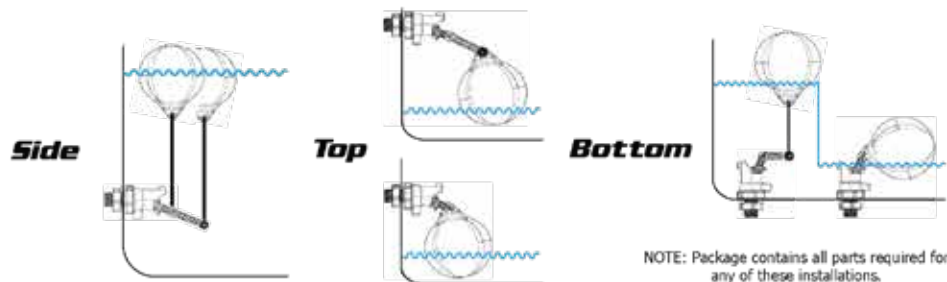


Key
 ■ Standard
 ■ Low Pressure

Features

- Side, Bottom, Top Mounting
- Valve body screws apart by hand for easy servicing
- Flow stops when unscrewed for servicing
- Supplied with backnut and seal washer
- Built in check valve
- Fully adjustable float angle
- Pressure range 0-10 Bar (0-150 PSI)
- Low pressure model also available 0-5 Bar (0-75 psi) gives 60% more flow
- Non corrosive material construction
- Has switch to lock valve in off position

Mounting Positions



Options

Inlet sizes: 8mm 1/4" bsp/npt
 15mm 1/2" bsp/npt
 20mm 3/4" bsp/npt

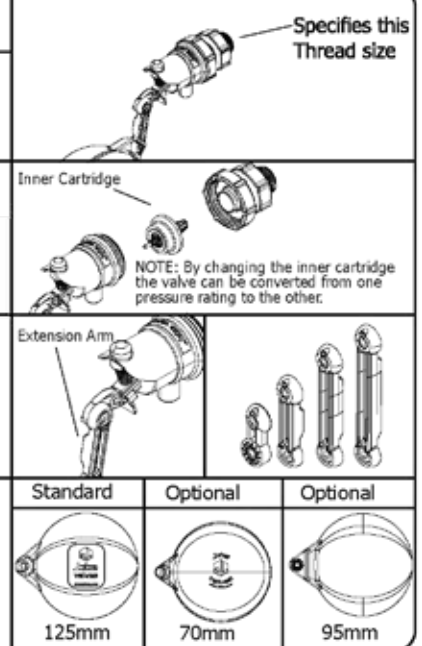
Pressure Rating:
STD 0 Bar (0 PSI) - 10 Bar (150 PSI)
HF 0 Bar (0 PSI) - 5 Bar (75 PSI)

Extension Arms:
 75mm Extension Arm supplied Standard

Available Extension Arm Lengths:
 25mm 50mm 75mm 100mm

Floats: 125mm wide floats supplied standard.
 Note: Suitable for any mounting position

70mm and 95mm floats optional
 Note: Suitable for top entry only.



ROJO FLOAT VALVE SPECIFICATION

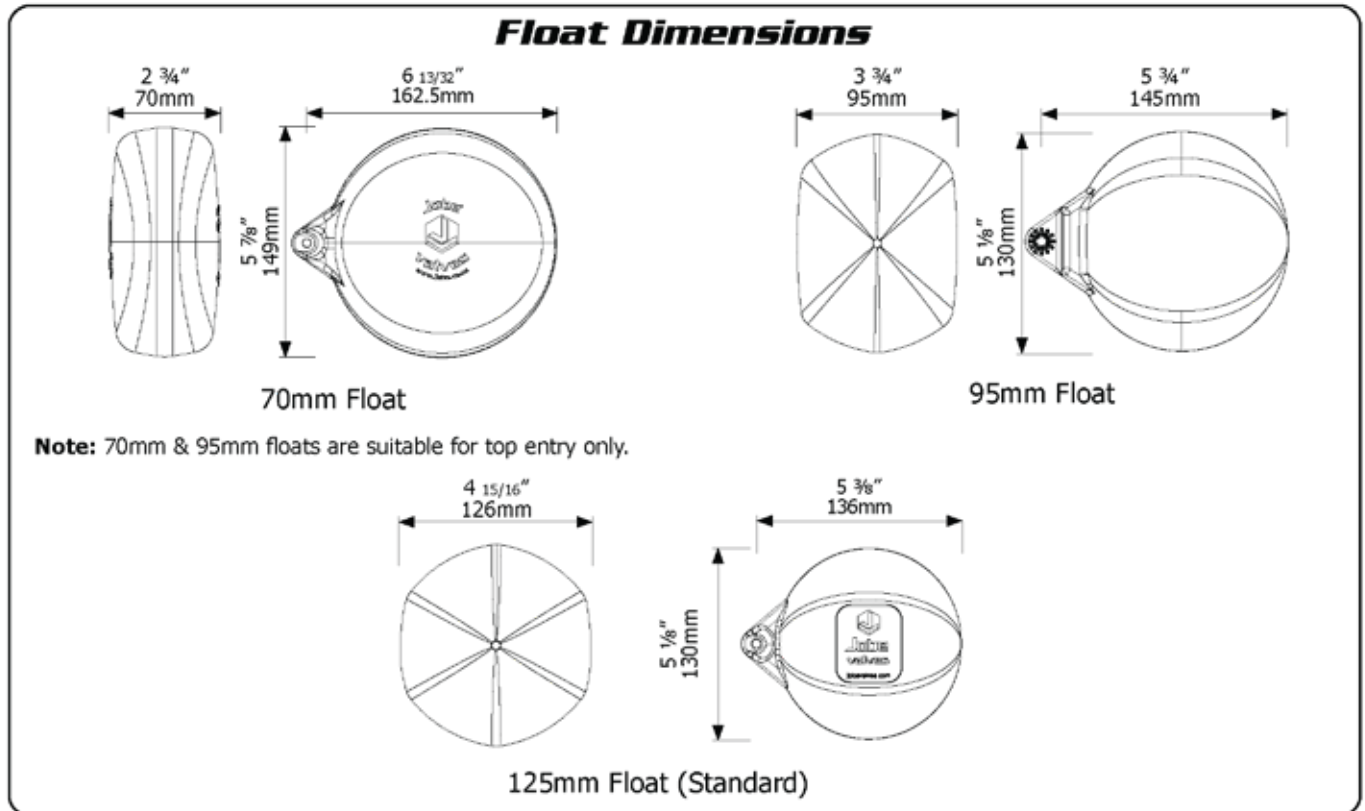
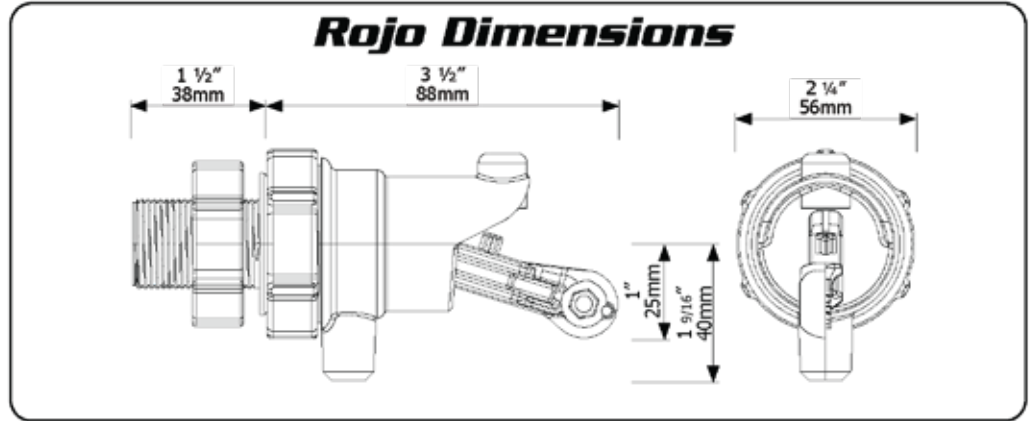
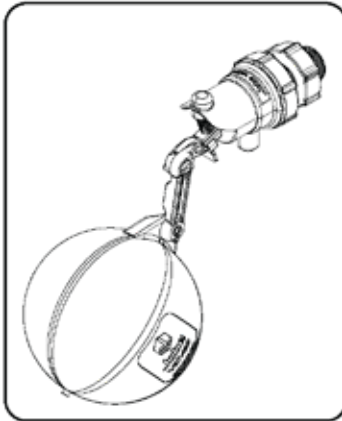
PRODUCT	CODE	INLET SIZE	CODE	OPTIONS	CODE
Rojo Float valve	RJV		BSP NPT	Low pressure	HF
		1/4"	8 0025	25mm Extn Arm	A25
		1/2"	15 0050	50mm Extn Arm	A50
		3/4"	20 0075	75mm Extn Arm	A75
				100mm Extn Arm	A100
				70mm wide Float	F70
				95mm wide Float	F95

(e.g) A Rojo Float Valve with: 3/4" bsp inlet, 100mm Extn Arm, 95mm Float has the following spec number: **RJV 20 A100 F95** NOTE: If no options are specified the standard ones will be supplied

Note: Product may differ slightly from these specs due to ongoing product development.

ROJO FLOAT VALVE

DIMENSIONS AND MATERIALS

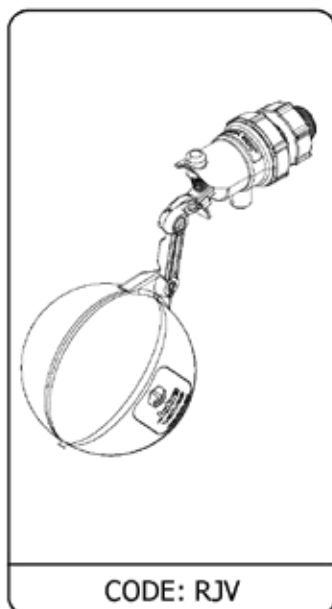


Note: 70mm & 95mm floats are suitable for top entry only.

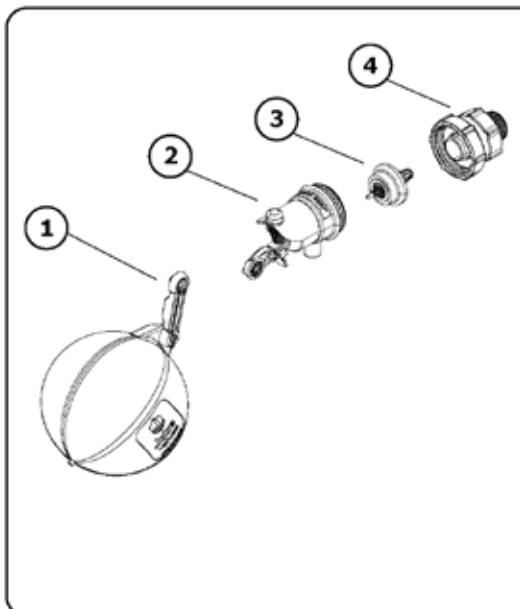
Part	Material	Part	Material
Valve Body	ABS	Seal Washer	LDPE
Tail & Nut Arm	Glass Filled Nylon	Springs Bolts Nuts	304 Stainless Steel
Extension Arms Internal Black Mouldings		O'Rings	Nitrile
Yellow Valve Parts Filter	Acetal	Float Cord	Polyester
Float	HDPE		

Maximum Operating Temperature **60°C, 140°F**

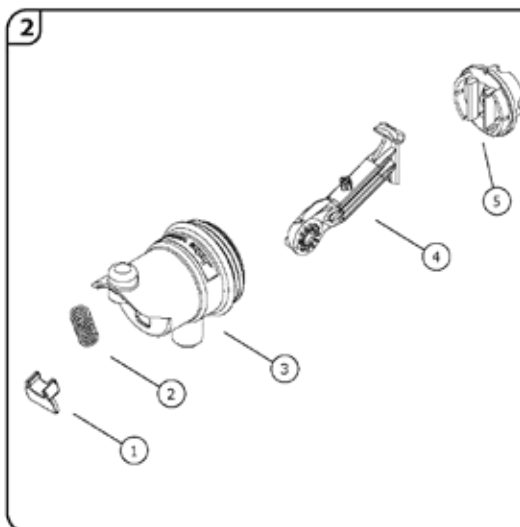
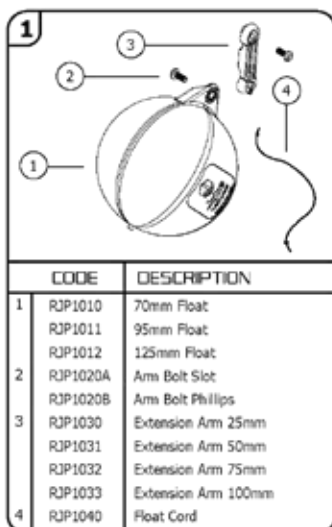
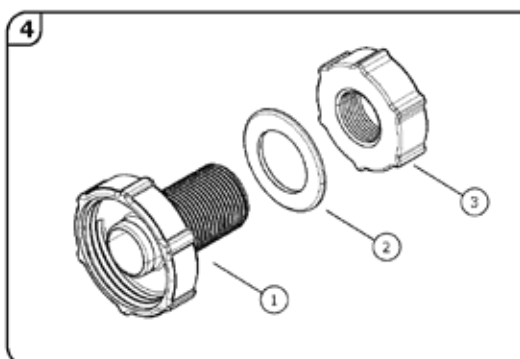
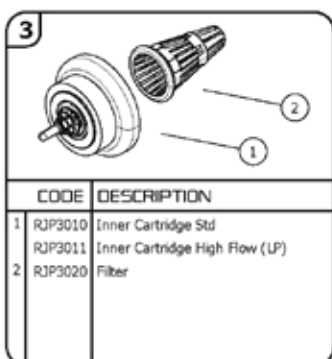
ROJO FLOAT VALVE PARTS IDENTIFICATION SHEET



CODE: RJV



CODE	DESCRIPTION
1 RJP1	Float & Connection
2 RJP2A	Body Assembly
3 RJP3A	Inner Cartridge Assembly
RJP3B	Inner Cartridge Assembly High Flow (L/P)
4 RJP415	15mm (1/2") Tail Assembly
RJP420	20mm (3/4") Tail Assembly
RJP420E	20mm (3/4") NPT Tail Assembly

For Further Information

info@valvewarehouseaustralia.com.au

03 9421 0042

Valve Warehouse ABN 33 632 515 149

Warranty

24 months

