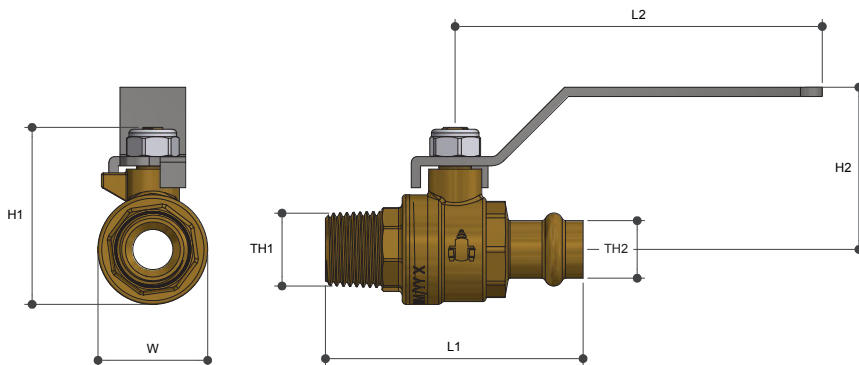


WATERMARKED BALL VALVE

Pressfit CU X MI Lever Handle Lead Free

Product Specifications



Features

Watermark approved

Full bore

Available in sizes 20mm (3/4") to 25mm (1")

100% pressure tested

Blow proof spindle

For use with Viega, Rothenberger, Novopress, Kempress, Rems & V-Profile Tools only

Tested and certified to WMTS-012

Specifications

Working temperature 1 °C to 95 °C

Maximum pressure rating 2500kPa

Sizing Chart (MM)

	L1	L2	H1	H2	W	TH1	TH2
WP20MLF	80	101	55	48	37	R 3/4"	DN20
WP25MLF	95	101	64	52	46	R 1"	DN25

Material Chart

Part	Material
Body	DR Lead Free Brass
Cap	DR Lead Free Brass
Ball	Stainless Steel
Spindle	Stainless Steel
Seal	PTFE
O Ring	FKM
Handle	Stainless Steel

For Further Information

📧 info@valvewarehouseaustralia.com.au

☎ 03 9421 0042

Valve Warehouse ABN 33 632 515 149

Warranty

24 months

