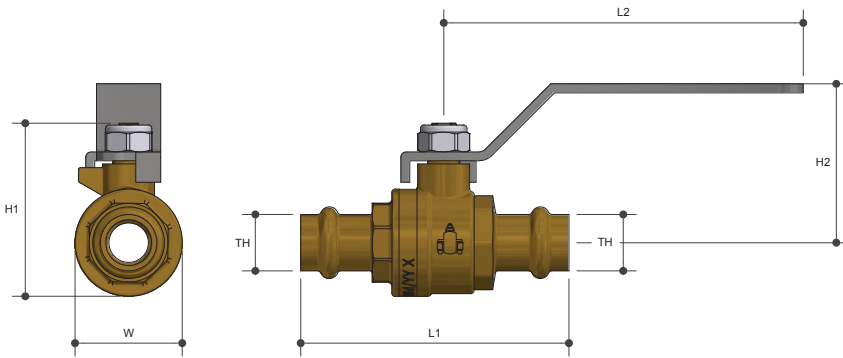


WATERMARKED BALL VALVE

Pressfit CU X CU Lever Handle
Lead Free

Product Specifications



Specifications

Working temperature 1 °C to 95 °C

Maximum pressure rating 2500kPa

Sizing Chart (MM)

	L1	L2	H1	H2	W	TH
WP15LF	75	101	48	44	30	DN15
WP20LF	87	101	55	48	37	DN20
WP25LF	101	101	64	52	46	DN25
WP32LF	114	140	80	71	58	DN32
WP40LF	135	140	92	77	69	DN40
WP50LF	163	140	108	85	84	DN50

Features



Watermark approved

Full bore

Available in sizes 15mm (1/2") to 50mm (2")

100% pressure tested

Blow proof spindle

For use with Viega, Rothenberger, Novopress, Kempress, Rems & V-Profile Tools only

Tested and certified to WMTS-012

Material Chart

Part	Material
Body	DR Lead Free Brass
Cap	DR Lead Free Brass
Ball	Stainless Steel
Spindle	Stainless Steel
Seal	PTFE
O Ring	FKM
Handle	Stainless Steel

For Further Information

📧 info@valvewarehouseaustralia.com.au

☎ 03 9421 0042

Valve Warehouse ABN 33 632 515 149

Warranty

24 months

