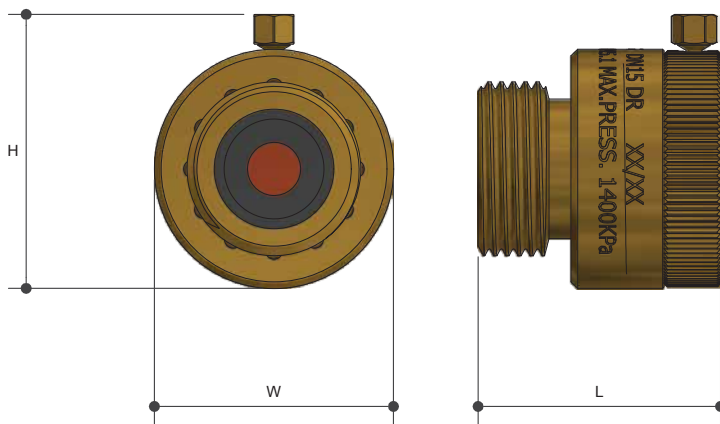


# VACUUM BREAKERS

Hose Tap Vacuum Breaker Lead Free

Product Specifications



## Specifications

Maximum Working Temperature 1°C to 75°C

Maximum Pressure Rating 1400kPa

## Sizing Chart (MM)

	L	H	W	TH1	TH2
VB15LF	36	40	35	G 3/4"	G 3/4"
VB15CLF*	36	40	35	G 3/4"	G 3/4"
VB20LF	38	47	41	G 1"	G 1"
VB20CLF*	38	47	41	G 1"	G 1"

\* Chrome Plated

## Features

Watermark Lead Free Approved

Solid Brass Construction

Available in Chrome Plated Finish

Tested and Certified to AS/NZS 3718

## Material Chart

Part	Material
Body	DR Lead Free Brass
O Ring	EPDM
Washer	EPDM
Spring	Stainless
Valve	Copper

## For Further Information

📧 [info@valvewarehouseaustralia.com.au](mailto:info@valvewarehouseaustralia.com.au)

☎ 03 9421 0042

Valve Warehouse ABN 33 632 515 149

## Warranty

24 months

