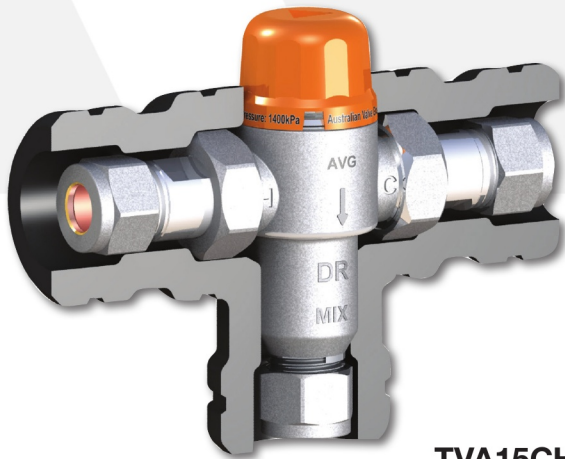


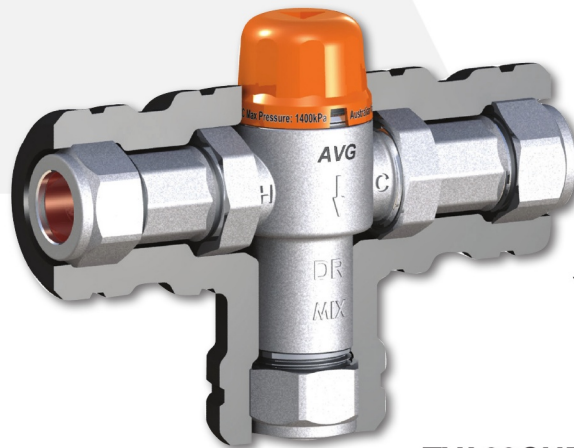
## Tempering Valve Assemblies TVA (High Performance - orange cap)

Suitable for solar and continuous flow  
hot water systems





TVA15CHP-i



TVA20CHP-i

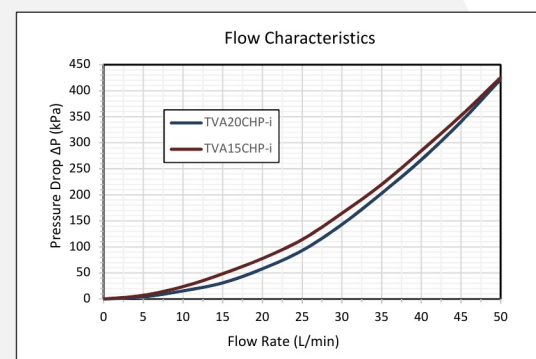


## Features

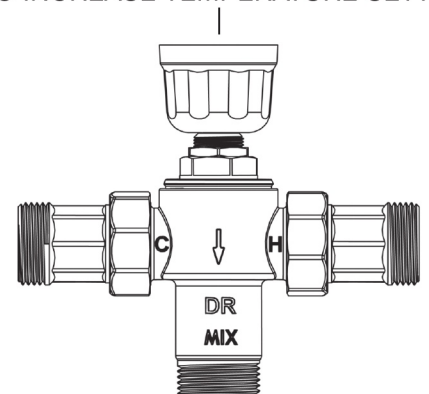
Designed for solar applications and continuous flow heaters. TVA15CHP-i valves can also be used in all water heater applications as per TVA installation instructions.

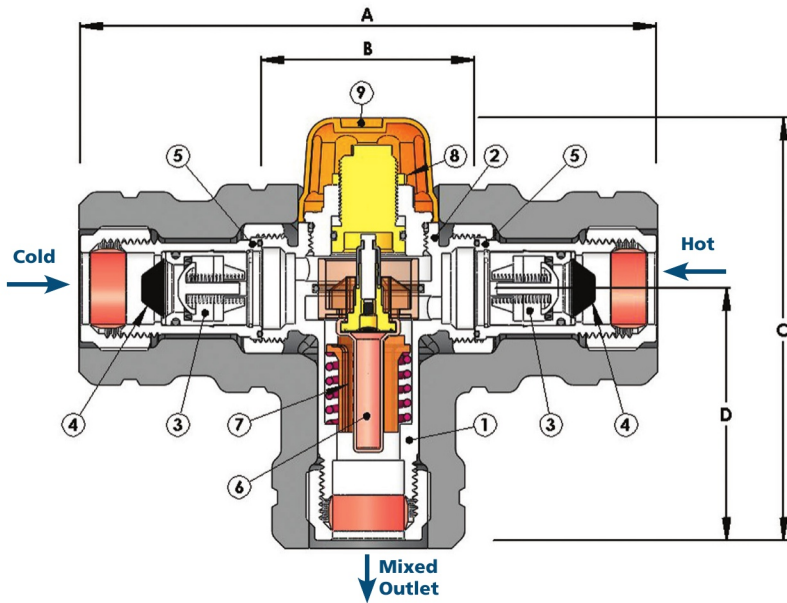
**PLEASE NOTE: only the High Performance (orange cap) valves are suitable for solar applications.**

- Have been upgraded to include high-temperature components.
- Maximum hot water supply temperature 99°C.
- More accurate control:  $\pm 3^{\circ}\text{C}$  from set temperature (to AS4032.2).
- Fast response to pressure fluctuations.
- Forged DR bronze body.
- Advanced polymers for greater resistance to calcium deposits.
- Integral 60 mesh stainless steel line strainers.
- Integral non return valves.
- Stainless steel springs.
- O-ring seal union connectors.
- Tamper proof adjustment.
- Special adjusting tool.
- Seasonal adjustments not required.
- Will supply 50°C mix with 55°C hot supply.
- Water Mark Certification – License No. 20137.



FIT & ROTATE CAP ANTI-CLOCKWISE TO INCREASE TEMPERATURE SETTING





1. Forged DR brass body.
2. Compact body design.
3. Integral non return valves in all models to enhance flow through the valve.
4. Filters to prevent debris entering the valve.
5. O-ring seal inlet union connectors complete with nuts and olives.
6. Compact high performance probe provides smooth consistent hot water.
7. Water flow directors inside the valve prevent turbulence and enhance flow.
8. Locking mechanism to prevent tampering.
9. Integrated adjustment tool in cap - no spanners to go missing.



### TVA-HP SPECIFICATIONS

MODEL	DN SIZE	A	B	C	D
TVA15CHP-	15mm	144	58	113	67
TVA20CHP-	20mm	147	58	112	66

- Cold Water supply temperature: 5°C – 25°C
- Hot Water supply temperature: 65°C – 99°C
- Adjustable outlet temperature: 40°C – 50°C
- Factory set temperature: 50°C normal (must be commissioned onsite by installer)
- Accuracy of outlet temperature: ±3°C – tested to AS4032.2
- Min. temperature differential (between hot supply and outlet temperature): 15°C
- Supply pressure, static: 1400kPa max.
- Supply pressure, dynamic: 500kPa max.
- Pressure supply imbalance, dynamic (at time of commissioning): 2:1 max.
- Max. permitted pressure variation in either supply in order to control outlet temperature to ±3°C (from supply pressure at commissioning): ±10% max.
- Flow rate min.: 4 litres/min

