

Carbon Steel Flanged Firesafe Ball Valve

Carbon Steel Construction - ANSI 150 - RTFE Seat

PRODUCT DATASHEET

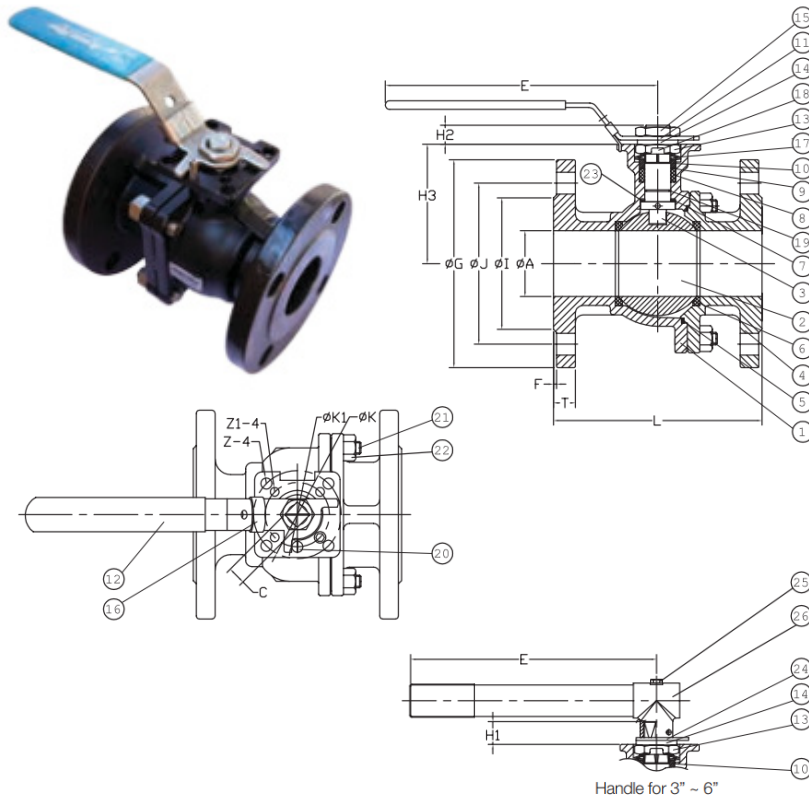
Specifications

- Flange Dimensions: ASME B16.5
- Face to Face Dimensions: ASME B16.10
- Max Working Temperature: 200°C
- Cold Working Pressure: 1960kPa

Operating Torque

Size	N.m	Ft/Lbs
15mm (1/2")	12	8.9
20mm (3/4")	15	11.1
25mm (1")	20	14.8
40mm (1 1/2")	30	22.1
50mm (2")	50	36.9
65mm (2 1/2")	65	47.9
80mm (3")	95	70.1
100mm (4")	125	92.2
150mm (6")	235	173.3

*Torque figures are net without safety factors



Features

- Applications: Refinery, Chemical, Petrochemical, Pharmaceutical, Power generation.

Materials

#	PART	MATERIAL
1	Body	ASTM A216 WCB
2	Ball	ASTM A351 CF8M 316
3	Stem	316 Stainless Steel
4	End Cap	ASTM A216 WCB
5	Body Seal	Graphite
6	Seat	RTFE
7	Thrust Washer	PTFE
8	Stem Packing	Graphite
9	Thrust Washer	RTFE
10	Gland	304 Stainless Steel
11	Handle	304 Stainless Steel
12	Handle Cover	Plastic
13	Stem Nut	304 Stainless Steel
14	Handle Washer	304 Stainless Steel
15	Handle Nut*	304 Stainless Steel
16	Locking Pad*	304 Stainless Steel
17	Belleville Washer	304 Stainless Steel
18	Stop Washer	304 Stainless Steel
19	Stem O-Ring	VITON
20	Stop	304 Stainless Steel
21	Stud	ASTM A193 Gr. B8
22	Nut	ASTM A194 Gr. 8
23	Thrust Washer	Graphite
24	Triangle Stopper**	304 Stainless Steel
25	Bolt**	304 Stainless Steel
26	Handle Adapter**	304 Stainless Steel

* Up to 65mm valves
** From 80mm valves

Warranty

24 months

For Further Information

info@valvewarehouseaustralia.com.au

03 9421 0042

Valve Warehouse ABN 33 632 515 149