

You can't beat the original, Philmac EasyLOK fittings

No matter the application Philmac's EasyLOK range of metric fittings has you covered, no worries.

Originally designed for use in the harsh mining environment, EasyLOK made the transition to irrigation and industrial applications with ease. The simple assembly process takes the hard work out of handling large bore metric pipe.

Available in a full range of configurations and a size range from 20mm to 110mm EasyLOK will provide an easy, reliable and long lasting solution.



Philmac Pty Ltd

ABN: 17 007 873 047

47-59 Deeds Road
North Plympton, South Australia
AUSTRALIA 5037

CUSTOMER SERVICE

Ph: 1800 755 899

philmac.com.au

Philmac

The connection you can trust.

Philmac

The connection you can trust.

EasyLOK Fittings

YOU CAN'T BEAT THE ORIGINAL

For a worry free
installation, everytime



You benefit with Philmac EasyLOK compression fittings

Importantly, the Philmac EasyLOK compression fitting range has been manufactured from high performance advanced thermoplastic materials so it is resistant to corrosion and has the strength and durability for many years of service.

Backed by a 20 year warranty, the Philmac EasyLOK compression fitting is a product of Philmac's unrelenting commitment to continuous improvement and a culture based on innovation and ingenuity.



Benefits

Easy Assembly

All components are positioned correctly no matter the condition of the pipe.

Easy disassembly

Designed to be re-used. Simply loosen the nut with multigrips or spanner to allow easy release of internal components.

Visual stop

The flange on the body of the EasyLOK fitting provides a visual stop to indicate when the nut is fully tightened. This removes any uncertainty from the installation process.

Chemical resistance

Supplied with EPDM seals which means that the fittings can withstand a wide range of chemicals without having to switch components.

Easy to use

The EasyLOK range has been designed to minimise the torque required to tighten the nut making installation as simple and easy as possible.

Impact resistance

Made from a high grade of polypropylene to provide significant resistance to impact.

Safety is paramount

Warning given in the case of the fitting being installed on a live air line. This allows the user to switch off air line before proceeding.

Minimises pipe twist

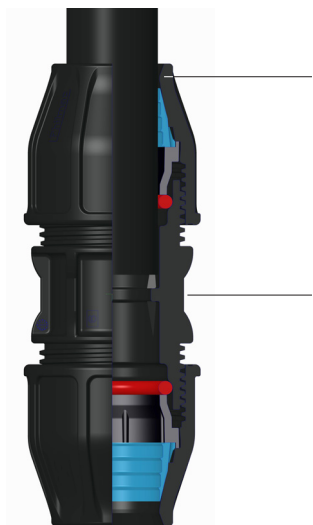
The fitting has been designed to minimise pipe twist as the nut is tightened. Maximum pipe twist is approximately three quarters of a turn compared to one and a half turns with many other fittings.

How it works

PRINCIPALS OF OPERATION - COMPRESSION FITTINGS



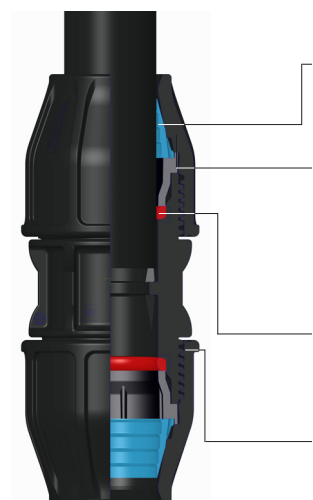
FULLY OPEN - PHILMAC EASYLOK



Clearance between pipe and fitting allows for easy insertion of the pipe.

The pipe sits against tapered wedges which minimises pipe rotation.

FULLY CLOSED - PHILMAC EASYLOK



Split ring bites into pipe. High internal pressure or tensile load causes the split ring to bite further into the pipe.

Positive internal stop: Fitting is fully assembled when the nut butts up against the spacer and the spacer butts up against fitting.

Seal compression is achieved when the nut has pushed the seal into the compression chamber.

Visual stop: Fitting is fully assembled when nut meets the flange on the body of the fitting.

Easy Installation



1 Cut the pipe square, there is no need to chamfer or lubricate the pipe. Then disassemble the fitting.



2 Slide the components on to the pipe and bring the body onto the pipe.



3 Tighten the nut by hand.



4 While holding the body tighten the nut all the way to the flange using multi-grips. The fitting is now fully installed.

Complete Coverage

The EasyLOK range is rated to PN16 and is available from 20mm to 110mm. To ensure complete coverage and that there is a fitting for all requirements EasyLOK fittings are available in joiners, elbows, male and female adaptors, tees and threaded elbows and tees.



NATA Accredited Laboratory Number: 14673

