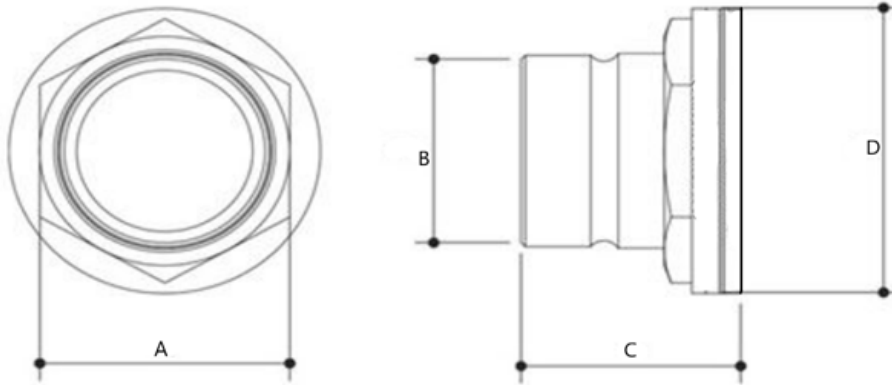


316 Stainless Steel Tank Outlet

BSP Threaded Tank Outlet - EPDM Gasket Washers

PRODUCT DATASHEET



Features

- Designed to connect to water tanks holding cold non-potable water.
- All sizes come with an internal female BSP thread of the next size down (second size measurement) excluding the 80mm (3") size.
- The flanged nut has a left-hand turn thread to tighten to the outside wall of the tank when being installed.

Specifications

- Max Working Pressure: 1600 kPa
- Max Working Temperature: 60°C
- Thread: BSP to ISO 228-1

Dimensions (mm)

Size	A	B	C	D
20mm (3/4") x 15mm (1/2")	35	27	58	47
25mm (1") x 20mm (3/4")	43	33	60	58
32mm (1 1/4") x 25mm (1")	50	42	70	65
40mm (1 1/2") x 32mm (1 1/4")	56	48	72	74
50mm (2") x 40mm (1 1/2")	69	60	75	88
65mm (2 1/2") x 50mm (2")	90	76	78	110
80mm (3")	101	88	88	124

Materials

#	PART	MATERIAL
1	Body	Stainless Steel 316
2	Flanged Nut	Stainless Steel 316
3	Gasket Washers	EPDM Rubber

Warranty

24 months

For Further Information

📧 info@valvewarehouseaustralia.com.au

☎ 03 9421 0042

Valve Warehouse ABN 33 632 515 149