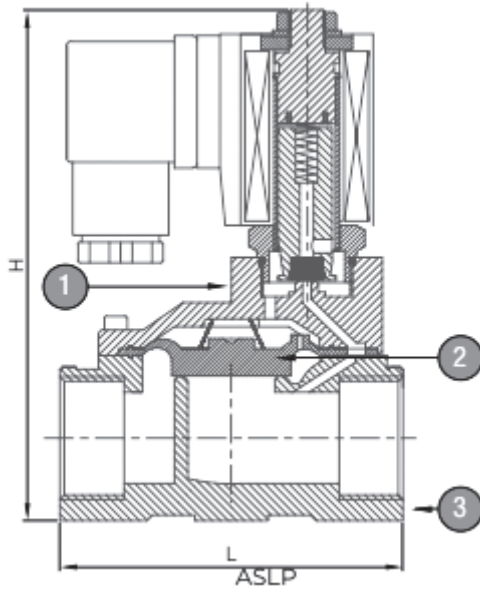


Brass Solenoid Valve

Pilot Operated Brass Solenoid Valve

PRODUCT DATASHEET



Specifications

- Available voltages: 24VAC, 240VAC, 12VDC & 24VDC
- Max Temperature Rating: 120°C
- Female BSP thread connections

Features

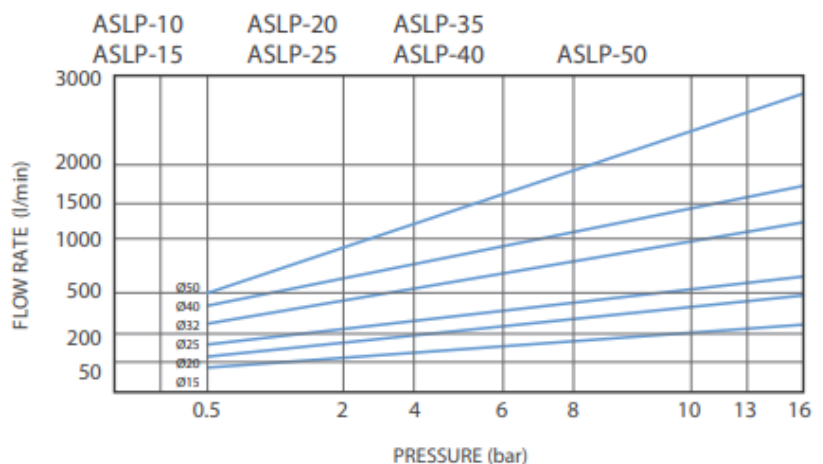
- Suitable for water, air & oil under 20 CST
- LED din plug available
- All voltages interchangeable

Dimensions (mm)

Size	L	H	CV FACTOR
15mm (1/2")	67	107	4.5
20mm (3/4")	75	112	7.6
25mm (1")	96	126	12
32mm (1 1/4")	131	145	22
40mm (1 1/2")	131	145	30
50mm (2")	165	157	48

Materials

#	PART	MATERIAL
1	Valve Cover	Brass
2	Diaphragm	Viton
3	Valve Body	Brass



Warranty

24 months

For Further Information

📧 info@valvewarehouseaustralia.com.au

☎ 03 9421 0042

Valve Warehouse ABN 33 632 515 149