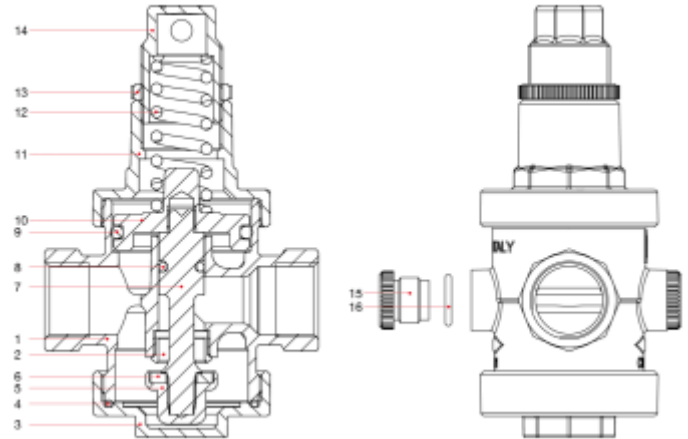
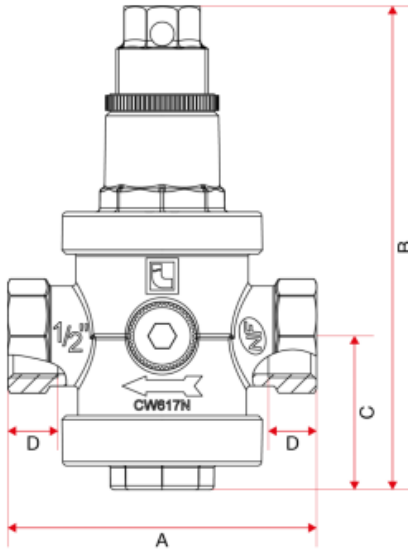


Brass Pressure Reducing Valve

Suitable for Air & Water Use

PRODUCT DATASHEET



Specifications

- Female BSP Threads to ISO 228
- Working Temperature Range: 0°C to 80°C.
- Outlet Pressure Gauge Connection: 8mm (1/4") on both sides

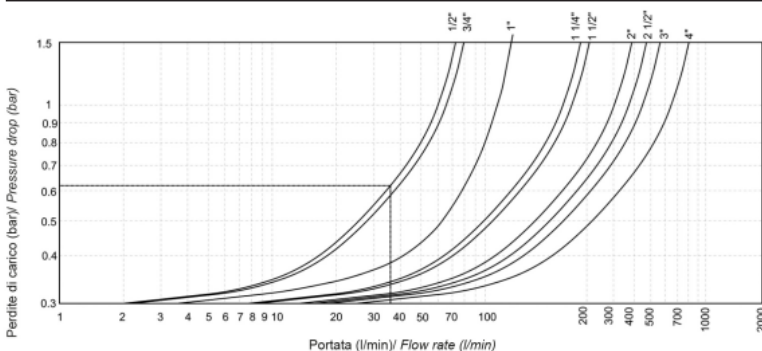
Features

- Maximum Inlet Pressure: 25 BAR
- Outlet Pressure Range: Between 1 to 5.5 BAR
- Factory Pre-adjustment: 3 BAR

Dimensions (mm)

Size	A	B	C	D
25mm (1")	58	101	48	13

Pressure Drop Diagram



Materials

#	PART	MATERIAL
1	Body	Nickel-plated brass
2	Seat	Stainless steel AISI 303
3	Bottom plug	Nickel-plated brass
4	O-ring	EPDM
5	Shutter	Brass
6	Flat seat washer	EPDM
7	Stem	Brass
8	O-ring	EPDM
9	O-ring	EPDM
10	Diaphragm	Brass
11	Upper plug	Nickel-plated brass
12	Spring	EN 10270-1 DH
13	Nut	Polimero
14	Regulator	Nickel-plated brass
15	Cap	Polymer
16	O-ring	EPDM

Warranty

24 months

For Further Information

info@valvewarehouseaustralia.com.au

03 9421 0042

Valve Warehouse ABN 33 632 515 149