

63mm Pressure Gauge Dry Dial

Bottom Entry - Glycerine Filled - Stainless Steel

DPG

PRODUCT DATASHEET

Description

Our High-Quality Dry Pressure Gauge suitable for industrial machines including air compressors. They are ideal for environments where mechanical vibrations are not a concern and where there is little to no moisture.

Our 63mm Dry Dial Pressure Gauge with 8mm (1/4 inch) BSP Back Entry Brass Thread ranges from 0 - 400 KPA / 60 PSI to 0 - 1600 KPA / 240 PSI and is manufactured with a black coated metal Housing.

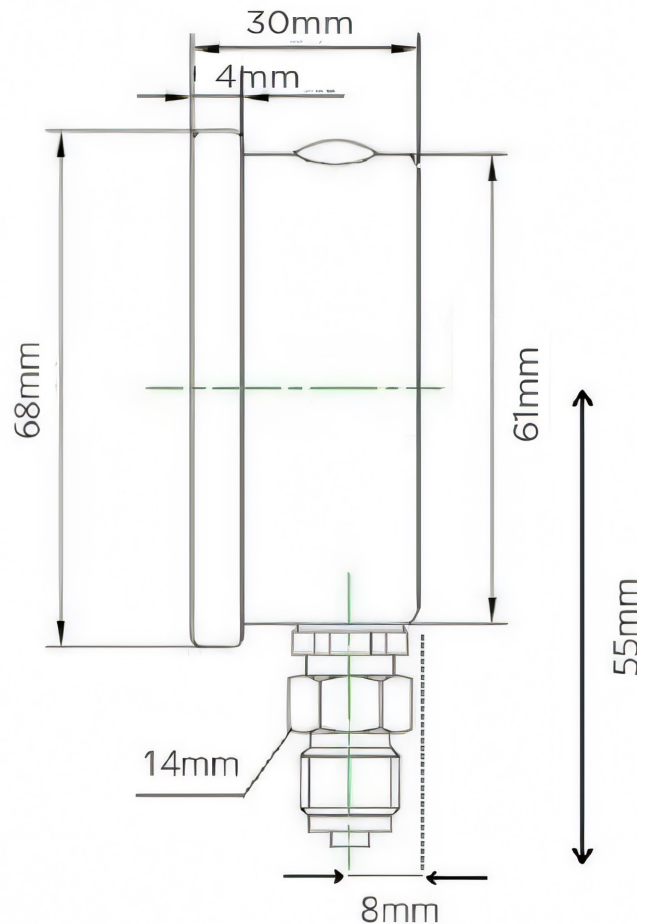
EVF pressure gauges have been proven reliable and efficient since 1991 and maintained at a competitive price.



Features

- **Pressure Range:** 400 kpa (60 psi) to 1600 kpa (240 psi)
- **Body:** Stainless Steel
- **Function:** Dual Scale Kpa/PSI glycerine filled pressure gauge
- **Connection:** 1/4" BSP Back Entry
- **Factory Accredited:** CE, ISO 9001, TUV

Model	Range
DPG-0-400	0 to 400 kPa
DPG-0-600	0 to 600 kPa
DPG-0-800	0 to 800 kPa
DPG-0-1000	0 to 1000 kPa
DPG-0-1600	0 to 1600 kPa
Size	63mm (2 1/2")
Accuracy	+/- 2.5%
Range	Depends upon model
Work Pressure	3/4 of full scale
Fluctuating pressure	2/3 of full scale
Short Time Pressure	Full Scale
Operating Temperature	-10°C to 60°C
Media	Compatible gases and liquids
Housing	Black Coated metal housing
Window	Polycarbonate
Liquid Filled	N/A
Bourdon Tube	Copper alloy
Movement	Copper alloy
Connection	Brass
Thread	BSP
Scale	Dual Scale Kpa/Psi



Warranty

24 months

For Further Information

✉ info@valvewarehouseaustralia.com.au

☎ 03 9421 0042

Valve Warehouse ABN 33 632 515 149