

100mm Compound Pressure Gauge

Bottom Entry - Liquid Filled - Stainless Steel

COMLF100

PRODUCT DATASHEET

Description

High-Quality Liquid Filled Compound Pressure Gauge suitable for measuring a system that is exerting both positive and negative pressure on the gauge.

Our 100mm Dial Pressure Gauge with 10mm (3/8 inch) BSP Bottom Entry Brass Thread ranges -100/+150 KPA and is manufactured with a Stainless Steel Housing.

Our Compound Pressure Gauge designed to measure specific types of pressure, so if you pick a simple pressure or vacuum gauge for a system that requires a compound gauge, the gauge will most likely be damaged. The exertion of negative pressure on a pressure gauge will cause damage, and likewise, the exertion of positive pressure on a vacuum gauge will also damage the gauge.

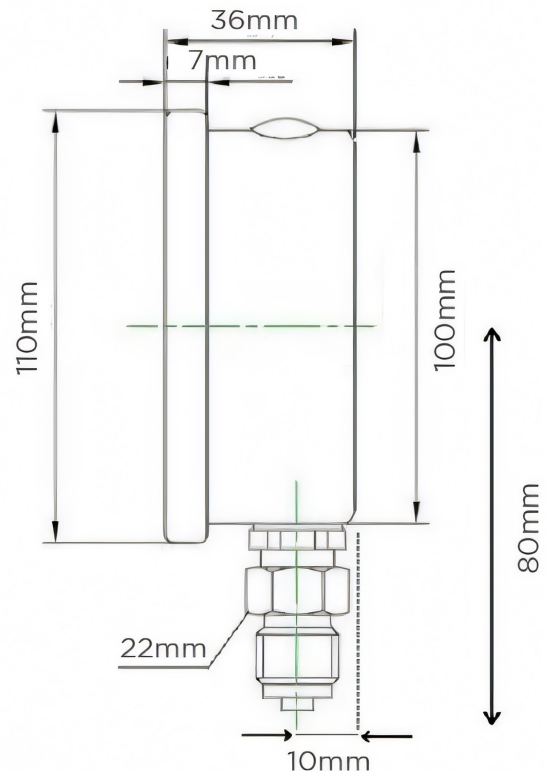
EVF pressure gauges have been proven reliable and efficient since 1991 and maintained at a competitive price.



Features

- **Pressure Range:** -100 kpa (-15 psi) to +150 kpa (22 psi)
- **Body:** Stainless Steel
- **Function:** Dual Scale Kpa/PSI glycerine filled pressure gauge
- **Connection:** 3/8" BSP Bottom Entry
- **Factory Accredited:** CE, ISO 9001, TUV

Model	Range
COMLF100--100-150	-100 to +150 kpa
Size	100mm (4")
Accuracy	+/- 2.5%
Range	Depends upon model
Work Pressure	3/4 of full scale
Fluctuating pressure	2/3 of full scale
Short Time Pressure	Full Scale
Operating Temperature	-10°C to 60°C
Media	Compatible gases and liquids
Housing	304 Stainless Steel Case and crimped ring
Window	Polycarbonate
Liquid Filled	Glycerine
Bourdon Tube	Copper alloy
Movement	Copper alloy
Connection	Brass
Thread	BSP
Scale	Dual Scale Kpa/Psi



Warranty

24 months

For Further Information

📧 info@valvewarehouseaustralia.com.au

☎ 03 9421 0042

Valve Warehouse ABN 33 632 515 149