

63mm Vacuum Gauge Liquid Filled Dial

Bottom Entry - Glycerine Filled - Stainless Steel

VACLF

PRODUCT DATASHEET

Description

High-Quality Liquid Filled Vacuum Pressure Gauge is suitable for measuring negative Water Pressure and Air Pressure that are below atmospheric pressure, which is set as the zero point, in negative values.

Our 63mm Vacuum Pressure Gauge with 8mm (1/4 inch) BSP Bottom Entry Brass Thread ranges -100 to 0 kpa and is manufactured with a Stainless Steel Housing.

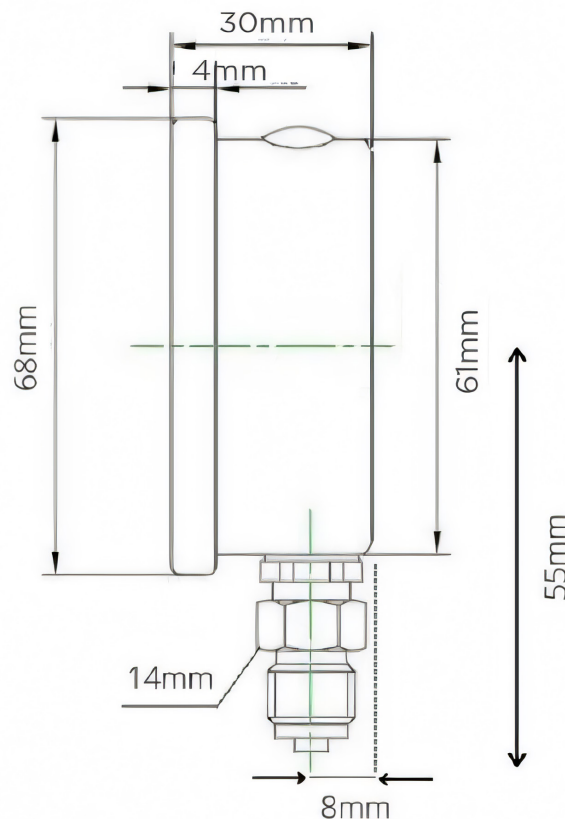
EVF pressure gauges have been proven reliable and efficient since 1991 and maintained at a competitive price.



Features

- **Pressure Range:** -100 kpa (-15 psi) to 0 kpa (0 psi)
- **Body:** Stainless Steel
- **Function:** Dual Scale Kpa/PSI glycerine filled pressure gauge
- **Connection:** 1/4" BSP Bottom Entry
- **Factory Accredited:** CE, ISO 9001, TUV

Model	Range
VACLF-100	-100 to 0 kpa
Size	63mm (2 1/2")
Accuracy	+/- 2.5%
Range	Depends upon model
Work Pressure	3/4 of full scale
Fluctuating pressure	2/3 of full scale
Short Time Pressure	Full Scale
Operating Temperature	-10°C to 60°C
Media	Compatible gases and liquids
Housing	304 Stainless Steel Case and crimped ring
Window	Polycarbonate
Liquid Filled	Glycerine
Bourdon Tube	Copper alloy
Movement	Copper alloy
Connection	Brass
Thread	BSP
Scale	Dual Scale Kpa/Psi



Warranty

24 months

For Further Information

📧 info@valvewarehouseaustralia.com.au

☎ 03 9421 0042

Valve Warehouse ABN 33 632 515 149