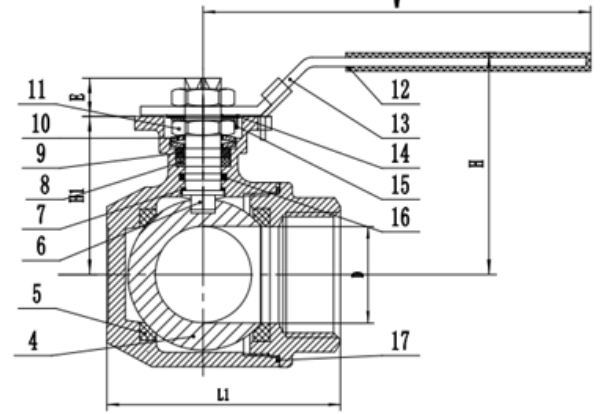
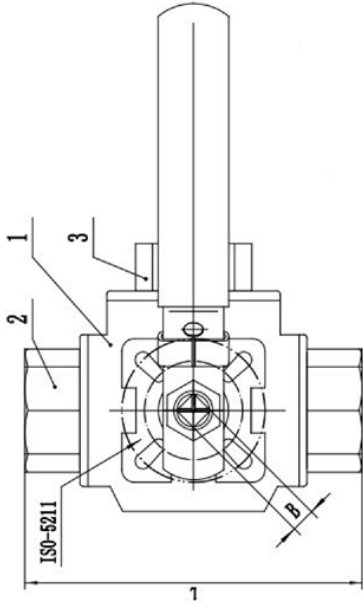


316 Stainless Steel Ball Valve - 3-Way

L-Port Ball Valve

PRODUCT DATASHEET



Materials

#	PART	MATERIAL
1	Body	CF8 Stainless Steel
2	Cap (1)	CF8 Stainless Steel
3	Cap (2)	CF8 Stainless Steel
4	Ball	CF8 Stainless Steel
5	Ball Seat	PTFE
6	Stem	316 Stainless Steel
7	Stem Seal	PTFE
8	Stem Packing	PTFE
9	Gland Nut	304 Stainless Steel
10	Spring Washer	304 Stainless Steel
11	Nut	304 Stainless Steel
12	Plastic Cover	Plastic
13	Handle	304 Stainless Steel
14	Washer	304 Stainless Steel
15	Thrust Washer	304 Stainless Steel
16	O-ring	Viton
17	Body Packing	PTFE

Specifications

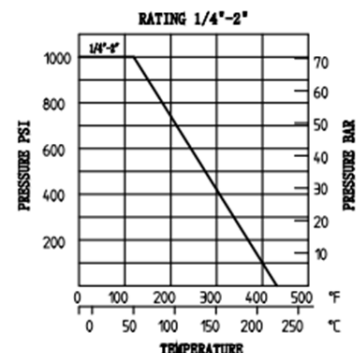
- Cold Working Pressure: 1000 psi (6895 kPa)
- Max Working Temperature: 180°C
- Thread: BSP to AS1722.1

Features

- L-Port.with the option of directing water flow either left or right from the side inlet
- Valve unable to be shut off from the inlet i.e. water flow unable to be isolated
- Suitable for hot and cold non-potable water, oil and gas

Dimensions (mm)

Size	D	V	L	L1	H	B	E	ISO5211	H
8mm (1/4")	9	143	79	64	76	9	9	F04/03	42
10mm (3/8")	11	143	79	64	76	9	9	F04/03	42
15mm (1/2")	12.5	143	79	64	76	9	9	F04/03	42
20mm (3/4")	16	143	83	68	80	9	9	F04/03	42
25mm (1")	20	163	102	82	95	11	11	F05/04	59.5
32mm (1 1/4")	25	163	120	90	98	11	11	F05/04	63
40mm (1 1/2")	32	188	126	107	110	14	14	F07/05	73.5
50mm (2")	38	188	150	124	119	14	14	F07/05	82.8



Warranty

24 months

For Further Information

📧 info@valvewarehouseaustralia.com.au

☎ 03 9421 0042

Valve Warehouse ABN 33 632 515 149