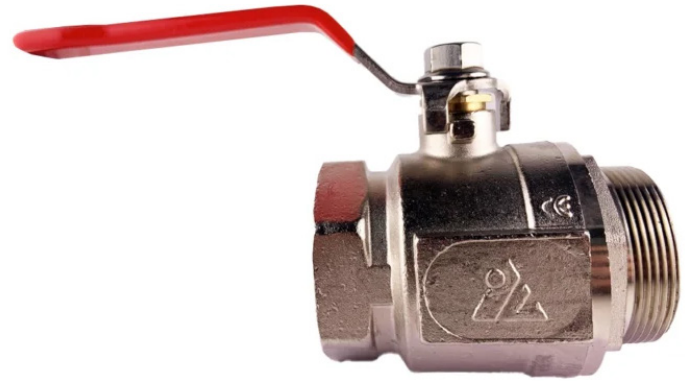
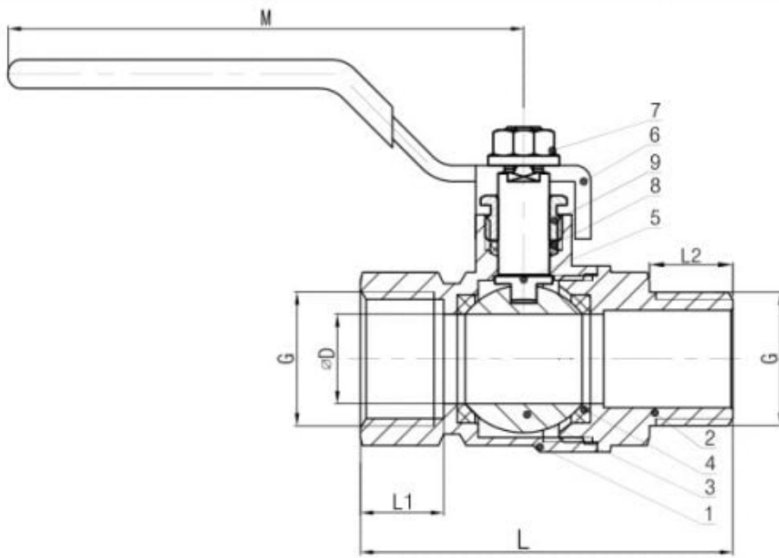


# Brass Ball Valve

M x F - Full Bore - Lever Operated

PRODUCT DATASHEET



## Features

- Size Range: 15mm (1/2") - 50mm (2")
- Flow will occur when the lever is in-line with the body of the valve.
- Full Bore for maximum flow.
- Blow-proof Stem
- 100% Pressure Tested

## Specifications

- Cold working pressure: 1600kPa (16 BAR)
- Working Temperature: 0°C - 80°C
- Thread type: Male BSP x Female BSP
- Full Bore
- Actuation Lever
- Nickel-plated Brass

## Dimensions (mm)

Size	L	D	M	L1/L2	G
15mm (1/2")	56	14	95	12/12.5	21
20mm (3/4")	62	18	95	12.5/13	27
25mm (1")	73	23	120	14/15	34
32mm (1 1/4")	84	31	132	16/17	42
40mm (1 1/2")	96	38	141	17/18	48
50mm (2")	107	48	152	18/19	60

## Materials

#	PART	MATERIAL
1	Body	Brass
2	Bonnet	Brass
3	Ball	Brass
4	Seat	PTFE
5	Stem	Brass
6	Handle	Stainless Steel
7	Hexagon Nut	Stainless Steel
8	Padding	PTFE
9	Packing Nut	Brass

## Warranty

24 months

### For Further Information

📧 [info@valvewarehouseaustralia.com.au](mailto:info@valvewarehouseaustralia.com.au)

☎ 03 9421 0042

Valve Warehouse ABN 33 632 515 149