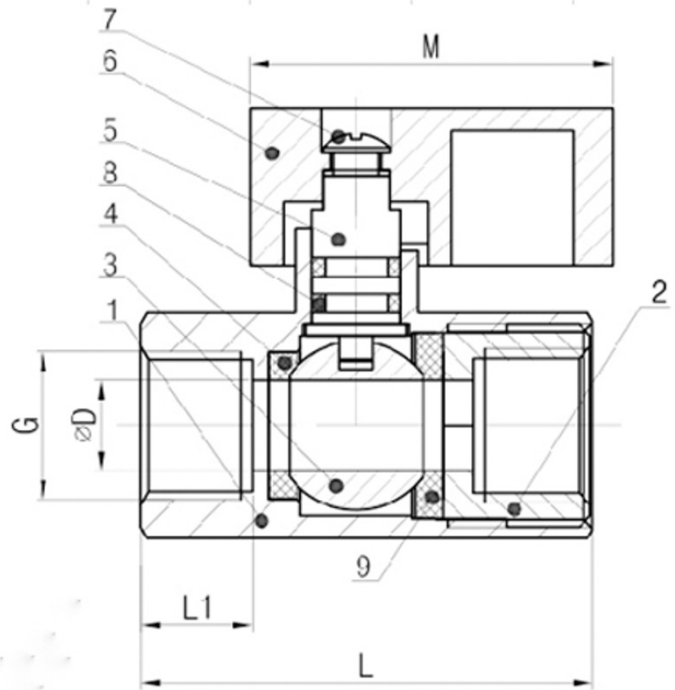


# Brass Mini Ball Valve

Female x Female Mini Ball Valve

PRODUCT DATASHEET



## Features

- Suitable for isolating hot & cold non-potable water.
- Flow will occur when the lever is in-line with the body of the valve.
- The compact nature of valve allows for installation in tight areas.
- Blow-proof spindle
- 100% Pressure Tested

## Specifications

- Cold working pressure: 2500kPa (25 BAR)
- Working Temperature: 1°C - 120°C
- Thread type: BSP
- Nickel-plated
- Size Range: 6mm (1/8") - 15mm (1/2")

## Dimensions (mm)

Size	L	D	M	L1	G
6mm (1/4")	39.5	8	32	9	1/8"
8mm (3/8")	39.5	8	32	9	1/4"
10mm (1/2")	39.5	8	32	10	3/8"
15mm (3/4")	44.5	8	32	11.5	1/2"

## Materials

#	PART	MATERIAL
1	Body	Brass
2	Bonnet	Brass
3	Ball	Brass
4	Seat	PTFE
5	Stem	Brass
6	Handle	Aluminium
7	Screw	Iron
8	O-Ring	NBR

## Warranty

24 months

### For Further Information

📧 info@valvewarehouseaustralia.com.au

☎ 03 9421 0042

Valve Warehouse ABN 33 632 515 149