

# Gear Operated Butterfly Valve

Wafer - Ductile Iron - 316 SS Disk - EPDM Seat

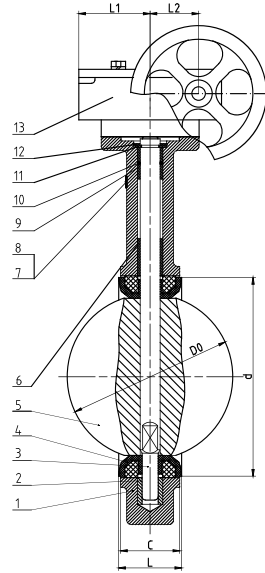
PRODUCT DATASHEET

## Specifications

- Max Cold Working Pressure: 1600 kPa (16 Bar)
- Flange drilling is Table E except for the 100mm (4") & 250mm (10") sizes, which are drilled Table D & E
- Top Flange: ISO 5211

## Features

- Suitable for water and wastewater treatment and general industry.
- The thin compact butterfly valve body allows for easy installation in tight areas.
- When the handwheel is turned clockwise the valve will open.

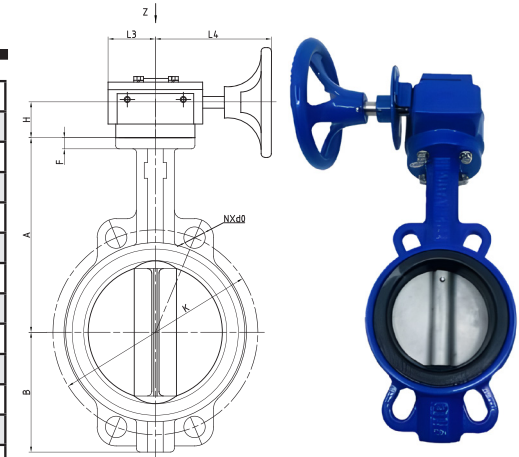


## Materials

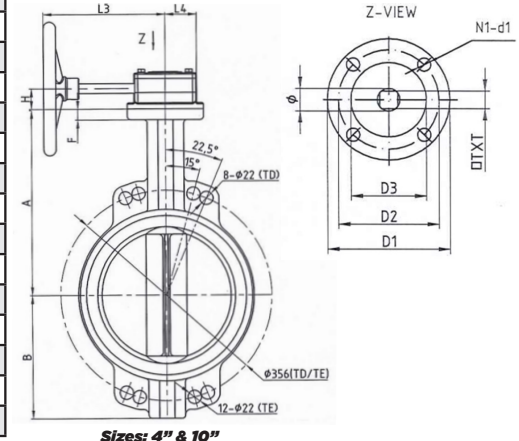
#	PART	MATERIAL
1	Body	Ductile Iron
2	Lower Bushing	Bronze
3	Stem	Stainless Steel 420
4	Seat	EPDM
5	Disc	Stainless Steel CF8M
6	Long Bushings	PTFE
7	Rivet	L3
8	Tag	Stainless Steel 304
9	Short Bushings	Bronze
10	O-ring	NBR
11	Split Ring	Gr 33
12	Circlip	Gr 33
13	Gear Operator	Cast Iron

## Dimensions (mm)

Size	A	B	H	C	L	DO	d	K	N-do	F	D1
50mm (2")	161	80	40	43	46	52.6	73.3	114	4-18	13	65
65mm (2 1/2")	175	89	40	46	49	64.3	86	127	4-18	13	65
80mm (3")	181	95	40	46	49	78.8	100.9	146	4-22	13	65
100mm (4")	200	114	40	52	55	104	132	178	4-18	13	90
125mm (5")	213	127	40	56	59	123.3	156	210	4-18	13	90
150mm (6")	226	139	40	56	59	155.7	185.4	235	4-23	13	90
200mm (8")	260	175	40	60	64	202.4	235.2	292	4-23	15	125
250mm (10")	292	203	34	68	71.8	250.4	289.4	-	12-22	15	125
300mm (12")	337	242	46	78	82	301.5	341.2	406	4-28	20	125
350mm (14")	368	267	46	78	82	333.3	372.1	470	4-28	20	150
400mm (16")	400	325	110	102	107	389.6	435.9	521	4-28	20	175
450mm (18")	422	345	110	114	119	440.5	486.6	584	4-26	20	175
<b>500mm (20")</b>	<b>480</b>	<b>378</b>	<b>110</b>	<b>127</b>	<b>132</b>	<b>491.6</b>	<b>531.5</b>	<b>641</b>	<b>4-26</b>	<b>22</b>	<b>175</b>
Size	D2	D3	N1-d1	O	OTXT	L1	L2	L3	L4	N-d1	Class
50mm (2")	50	35	4-7	12.6	9x9	53	45	53	155	-	PN16
65mm (2 1/2")	50	35	4-7	12.6	9x9	53	45	53	155	-	PN16
80mm (3")	50	35	4-7	12.6	9x9	53	45	53	155	-	PN16
100mm (4")	70	55	4-10	15.77	11x11	52	45	53	155	4-18	PN16
125mm (5")	70	55	4-10	18.92	14x14	53	45	53	155	-	PN16
150mm (6")	70	55	4-10	18.92	14x14	53	45	53	155	-	PN16
200mm (8")	102	70	4-12	22.1	17x17	76	63	76	237	-	PN16
250mm (10")	102	70	12	28.45	22x22	53	65	160	51	8-22	PN16
300mm (12")	102	70	4-12	31.6	22x22	78	78	78	255	-	PN16
350mm (14")	125	85	4-14	31.6	22x22	78	78	78	255	-	PN16
400mm (16")	140	100	4-18	37.95	27x27	104	181	104	254	-	PN16
450mm (18")	140	100	4-18	42.86	27x27	104	181	104	254	-	PN16
500mm (20")	140	100	4-18	45.72	36x36	104	181	104	254	-	PN16



Sizes: 2" to 3" - 5" to 8" - 12" to 24"



Sizes: 4" & 10"

## Warranty

24 months

## For Further Information

info@valvewarehouseaustralia.com.au

03 9421 0042

Valve Warehouse ABN 33 632 515 149