

Gear Operated Butterfly Valve

Lugged - Ductile Iron - 316 SS Disk - EPDM Seat

PRODUCT DATASHEET

Specifications

- Max Cold Working Pressure: 1600 kPa (16 Bar)
- Flange drilling is Table E AS2129
- Top Flange: ISO 5211

Features

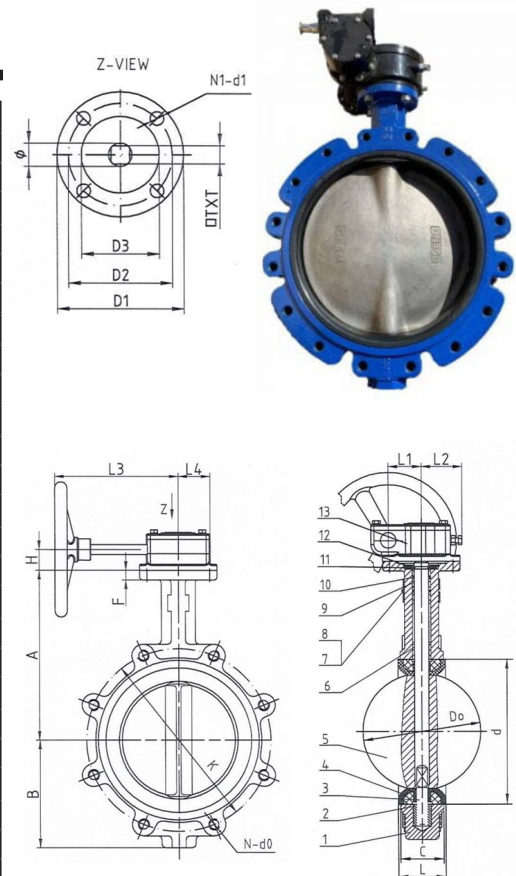
- Suitable for water and wastewater treatment and general industry.
- The thin compact butterfly valve body allows for easy installation in tight areas
- Lugs cast into the body of the valve are tapped with a metric thread
- Lugged butterfly valves can be mounted to the end of a pipeline without needing a flange on the discharge end of the valve
- When the handwheel is turned clockwise the valve will open

Materials

#	PART	MATERIAL
1	Body	Ductile Iron
2	Lower Bushing	Bronze
3	Stem	Stainless Steel 420
4	Seat	EPDM
5	Disc	Stainless Steel CF8M
6	Long Bushings	PTFE
7	Rivet	L3
8	Tag	Stainless Steel 304
9	Short Bushings	Bronze
10	O-ring	NBR
11	Split Ring	Gr 33
12	Circlip	Gr 33
13	Gear Operator	Cast Iron

Dimensions (mm)

Size	A	B	H	C	L	DO	d	K	N-do	F	D1
80mm (3")	181	95	29	46	49	78.8	100.9	146	4-M16	13	65
100mm (4")	200	114	29	52	55	104	132	178	8-M16	13	90
125mm (5")	213	127	29	56	59	123.3	156	210	8-M16	13	90
150mm (6")	226	139	29	56	59	155.7	185.4	235	8-M20	13	90
200mm (8")	260	175	34	60	64	202.4	235.2	292	8-M20	15	125
250mm (10")	292	203	40	68	72	250.4	289.4	356	12-M20	15	125
300mm (12")	337	242	46	78	82	301.5	341.2	406	12-M24	20	125
350mm (14")	368	267	46	78	82	333.3	372.1	470	12-M24	20	150
400mm (16")	400	325	110	102	107	389.6	435.9	521	12-M24	20	175
450mm (18")	422	345	110	114	119	440.5	486.6	584	16-M24	20	175
500mm (20")	480	378	110	127	132	491.6	531.5	641	16-M24	22	175
600mm (24")	562	475	128	154	159	592.5	651.2	756	16-M30	22	210
Size	D2	D3	N1-d1	O	OTXT	L1	L2	L3	L4	Class	
80mm (3")	50	35	4-7	12.6	9x9	44	52	160	39	PN16	
100mm (4")	70	55	4-10	15.77	11x11	44	52	160	39	PN16	
125mm (5")	70	55	4-10	18.92	14x14	44	52	160	39	PN16	
150mm (6")	70	55	4-10	18.92	14x14	44	52	160	39	PN16	
200mm (8")	102	70	4-12	22.1	17x17	53	65	160	51	PN16	
250mm (10")	102	70	4-12	28.45	22x22	63	76	237	76	PN16	
300mm (12")	102	70	4-12	31.6	22x22	78	78	255	78	PN16	
350mm (14")	125	85	4-14	31.6	22x22	78	78	255	78	PN16	
400mm (16")	140	100	4-18	37.95	27x27	181	104	254	104	PN16	
450mm (18")	140	100	4-18	42.86	27x27	181	104	254	104	PN16	
500mm (20")	140	100	4-18	45.72	36x36	181	104	254	104	PN16	
600mm (24")	165	130	4-22	53.98	36x36	200	131	301	131	PN16	



Warranty

24 months

For Further Information

info@valvewarehouseaustralia.com.au

03 9421 0042

Valve Warehouse ABN 33 632 515 149