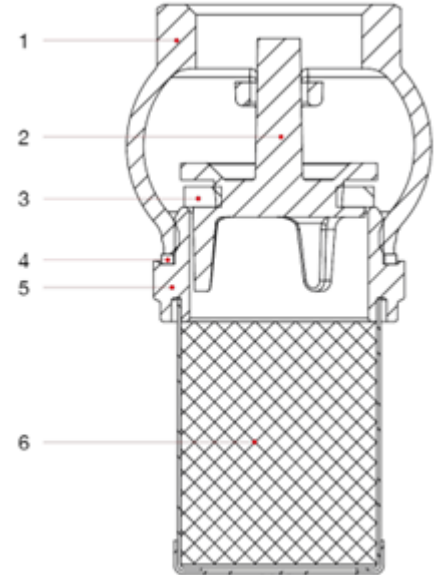
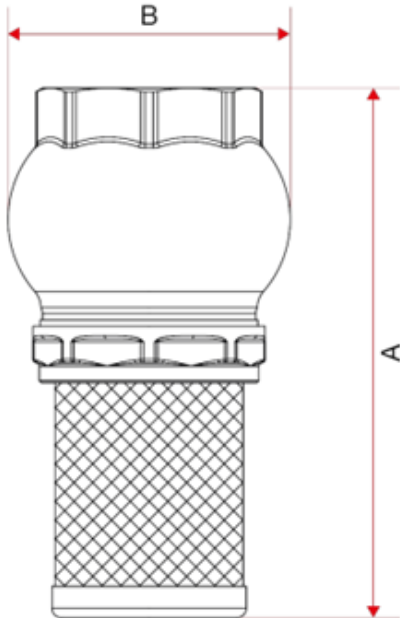


# Brass Foot Valve

Brass Vertical Foot Valve - Female BSP

PRODUCT DATASHEET



## Specifications

- Max Working Pressure: 1600 kPa (16 Bar)
- Water Working Temperature: 0°C to 90°C
- Thread: BSP to ISO 228

## Features

- Suitable for water suction services.
- Designed to be installed in a vertical position.
- Comes with a removeable cage allowing built up debris to be removed.

## Dimensions (mm)

Size	A	B
15mm (1/2")	68.5	39
20mm (3/4")	84.5	45
25mm (1")	99	51
32mm (1 1/4")	113.5	61
40mm (1 1/2")	122.5	68.5
50mm (2")	142.5	80
65mm (2 1/2")	168	100
80mm (3")	194.5	121
100mm (4")	216.5	145

## Materials

#	PART	MATERIAL
1	Body	Brass
2	Plate	Brass
3	Washer	NBR
4	Washer	Fibre
5	Ring	Brass
6	Cartridge	Brass

## Warranty

24 months

### For Further Information

📧 [info@valvewarehouseaustralia.com.au](mailto:info@valvewarehouseaustralia.com.au)

☎ 03 9421 0042

Valve Warehouse ABN 33 632 515 149